

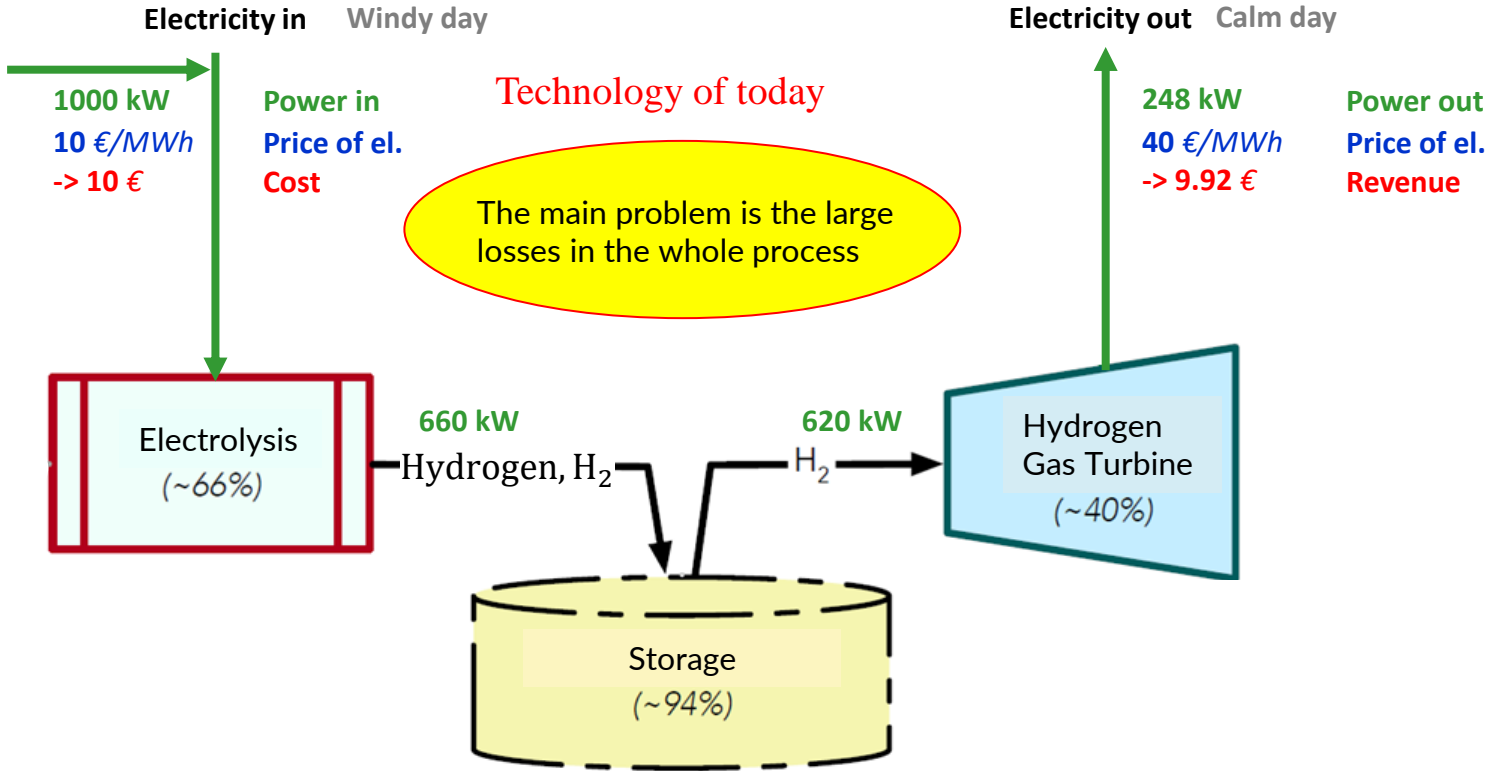
HyCoGen

System perspective of hydrogen production in connection to district heating

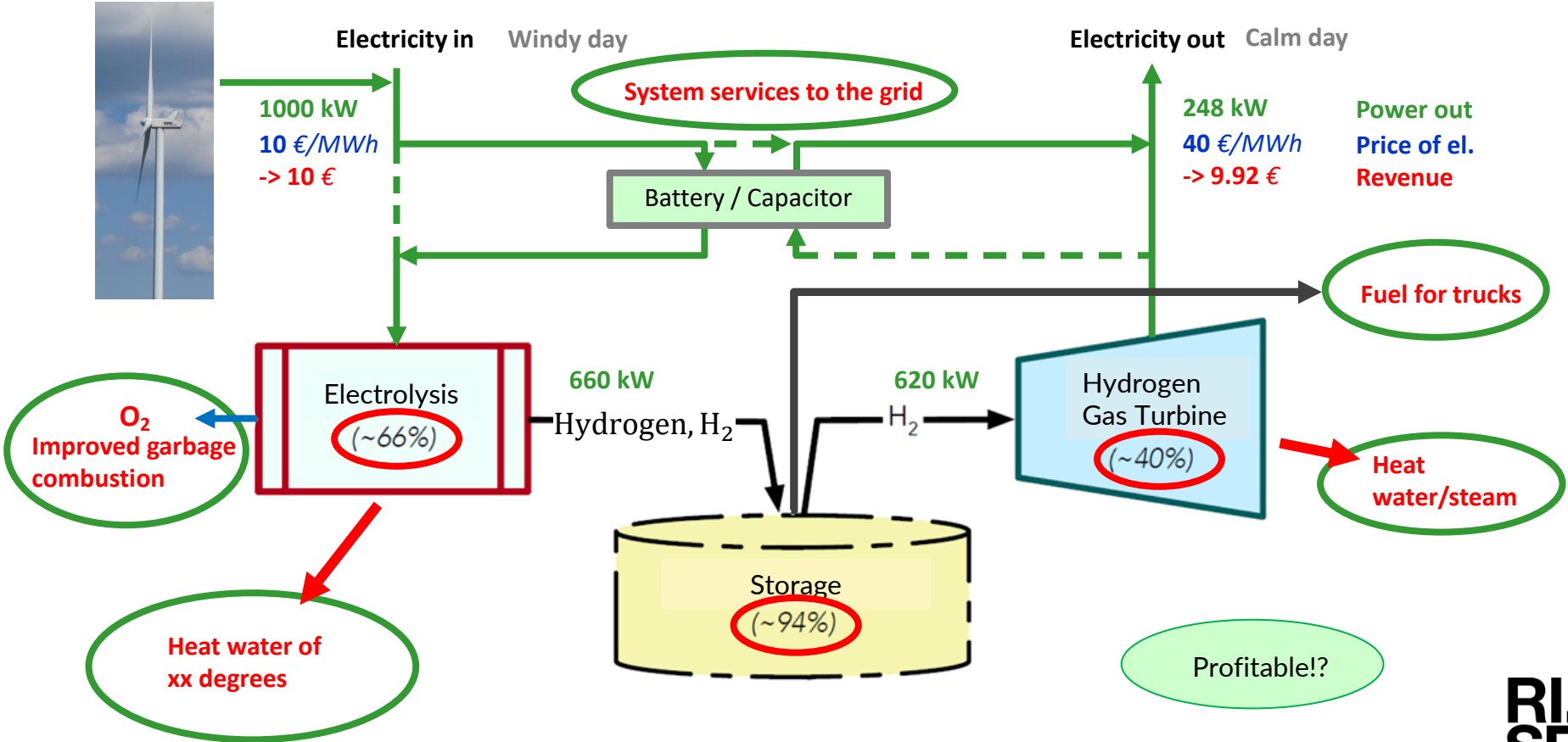
Jenny Lindborg
Project Manager/Researcher
RISE Research Institutes of Sweden
2022-10-14



Short about the project and problem statement



How to make hydrogen in the power system profitable? HyCoGen



Budget and project partners

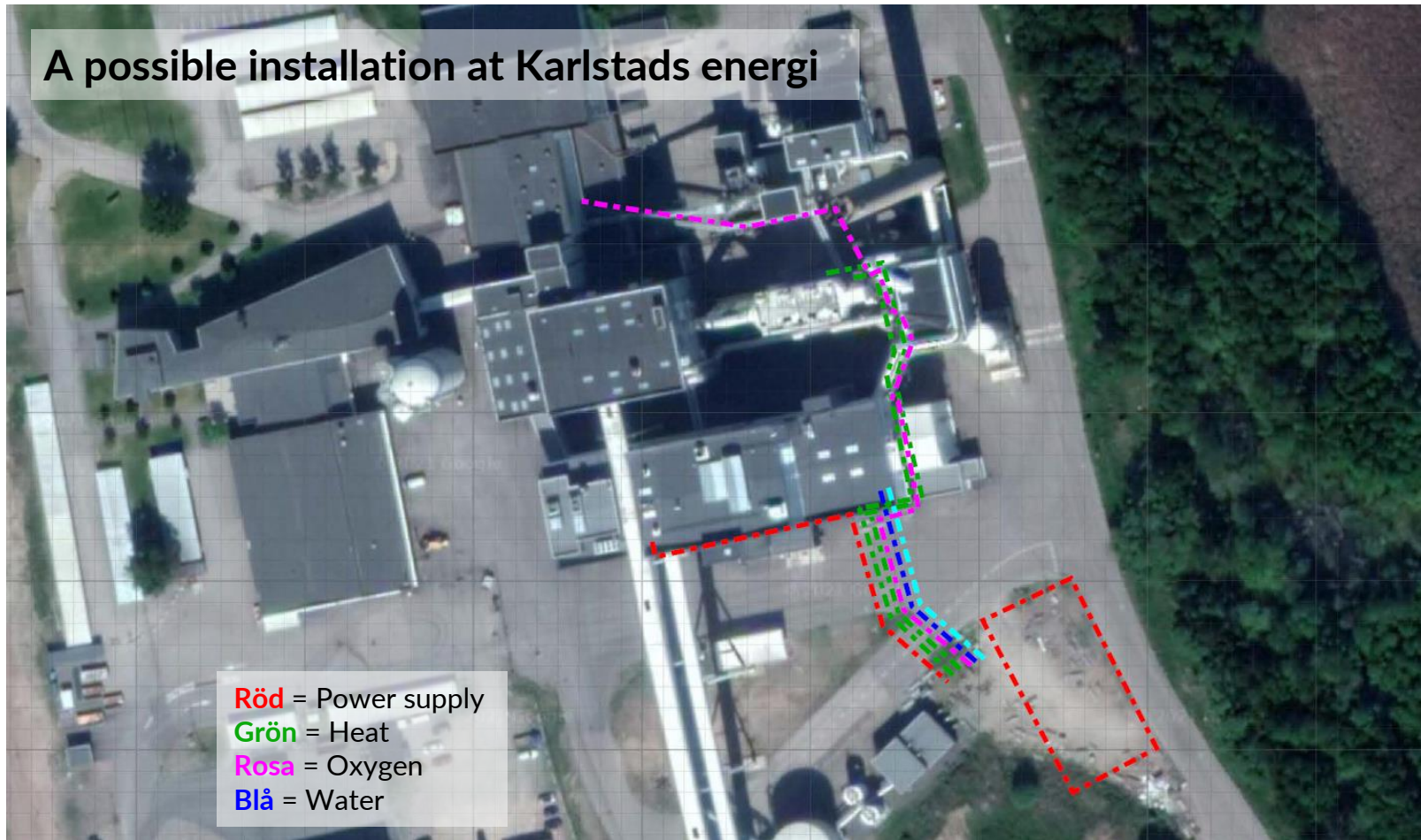
The project budget is 700 000 Euro



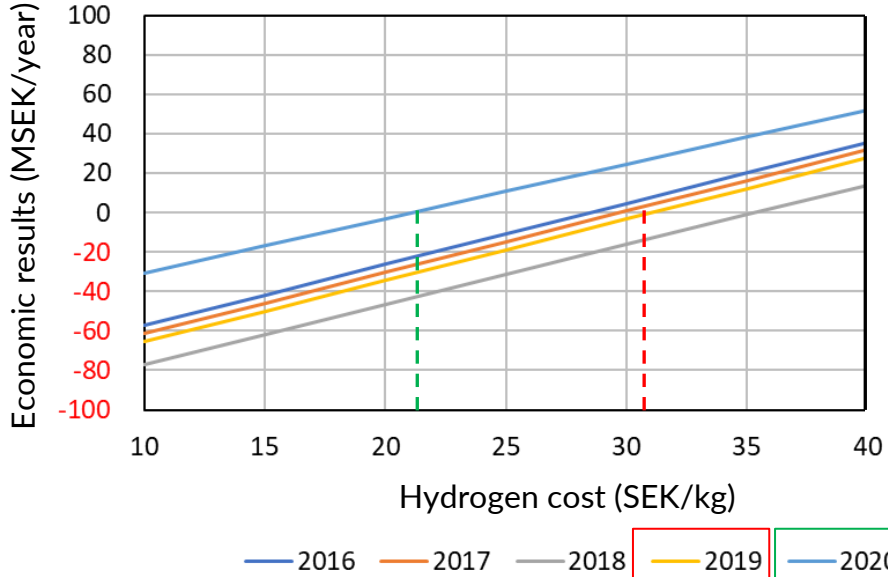
The main financing contributions come from Energimyndigheten and Göteborg Energis forskningsstiftelse.



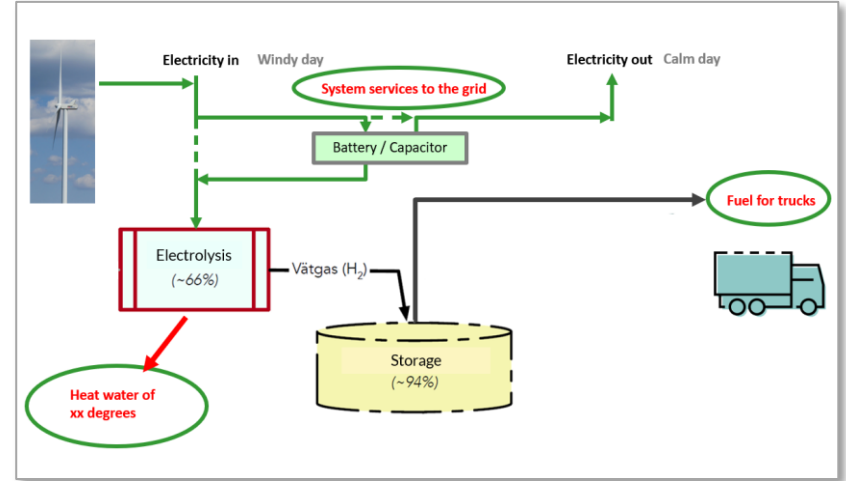
A possible installation at Karlstads energi



Revenues from hydrogen, residual heat and grid services



HyCoGen:
Based on electricity prices from year 2016 – 2020 in SE3 the cost of hydrogen will vary between 22 – 35 kr/kg



For each 1 kg of hydrogen, 8kg of oxygen is produced at the same time. The value of this oxygen is zero right now (investigations about oxygen-enriched combustion are ongoing).



Jenny Lindborg

jenny.lindborg@ri.se
RISE Research Institutes of Sweden
073-038 43 56

[System perspective of hydrogen production in connection to district heating | RISE](#)